



2018

# GL Lighting Catalog

## CONTACT DETAILS

Office: 061 007-7990

Email: [info@glighting.co.za](mailto:info@glighting.co.za)

Website: [www.tubelights.co.za](http://www.tubelights.co.za)

Slade Luke Fox

GL Lighting

1/15/2018

# TABLE OF CONTENTS

<u>PRODUCT</u>	<u>PAGES</u>
T8 LED Tubes – Premium + Series	2
T8/T5 High Powered LED Tubes – Premium + Series	3
T5 LED Tubes – Premium + Series	4
T8 LED Tubes – Premium Series	5
Colour LED Tubes – Premium Series	6
T5 LED Tubes – Premium Series	7
Under-counter LED Tube Fittings – Premium Series and Premium + Series	8
12-36V T8 LED Tube – Premium Series & LED Sensor Tube – Premium Series	9
T8 LED Tubes – Standard Series & T8 LED Glass Tube Series	10



Standard Series

Premium Series

Premium + Series

## T8 LED TUBES – PREMIUM +

The T8 Premium + Series is manufactured with white non-rotatable end caps, the Premium + Series logo, a frosted milky cover lens, 26mm Aluminium housing and it is powered with live and neutral on one side. The Premium + Series LED Tube comes with a 5-year warranty.

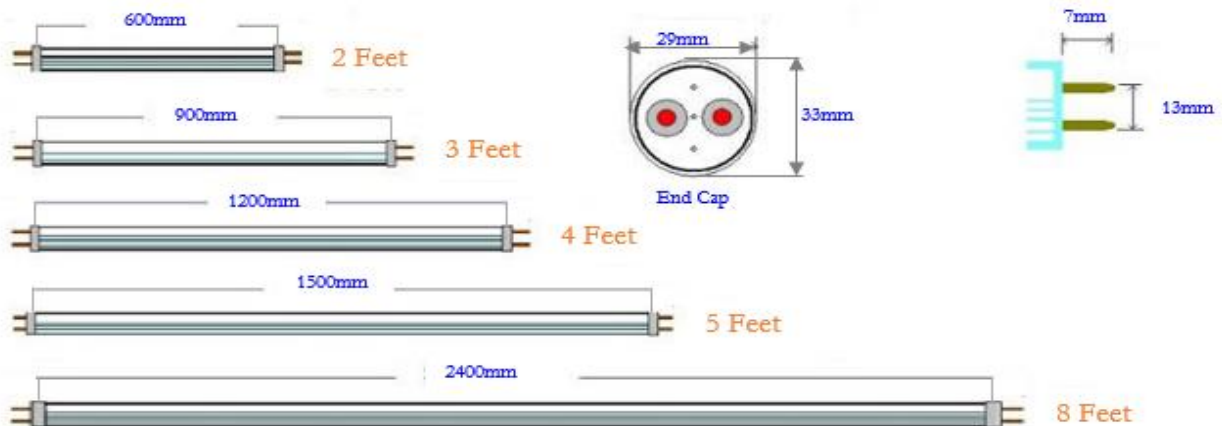
Available Sizes: 600mm, 900mm, 1200mm, 1500mm, 1800mm and 2400mm.

Available Colours: 4000K and 6000K.

Code	Length	CCT	CRI	PF	w	lm/W	Price ex VAT
2ft							
T8F26	600mm	6000K	82	0.97	9w	115	R128,00
T8F24	600mm	4000K	82	0.97	9w	112	R128,00
3f							
T8F36	900mm	6000K	82	0.97	13w	115	R143,00
T8F34	900mm	4000K	82	0.97	13w	112	R143,00
4ft							
T8F46	1200mm	6000K	82	0.97	18w	115	R158,00
T8F44	1200mm	4000K	82	0.97	18w	112	R158,00
5ft							
T8F56	1500mm	6000K	82	0.97	23w	115	R188,00
T8F54	1500mm	4000K	82	0.97	23w	112	R188,00
6ft							
T8F66	1800mm	6000K	82	0.97	27w	NA	R285,00
T8F64	1800mm	4000K	82	0.97	27w	NA	R285,00
8ft							
T8F86	2400mm	6000K	82	0.97	36w	NA	R375,00
T8F84	2400mm	4000K	82	0.97	36w	NA	R375,00

There are upgradable and customization options for the T8 Premium + Series.

- Your own Logo may be added ➤ R5,00
- Change to rotatable end caps ➤ R10,00
- Change to clear lens ➤ R5,00
- Power can be changed to both sides ➤ R5,00



# T8/T5 High Powered LED Tubes – Premium + Series

The T8/T5 High Powered Premium + Series is manufactured with white non-rotatable end caps, a frosted milky cover lens, 26mm aluminium housing and it is powered with live and neutral on one side. The Premium + Series LED Tube comes with a 5-year warranty.

Available Sizes T8: 600mm, 1200mm, 1500mm.

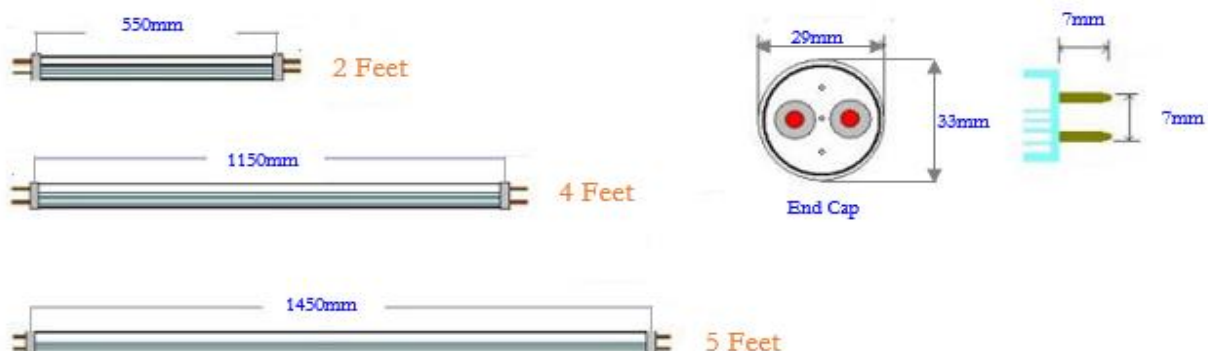
T5: 550mm, 1150mm, 1450mm.

Available Colours: 4000K and 6000K.

Code	Length	CCT	CRI	PF	w	lm/W	Price ex VAT
<b>2ft</b>							
T8F26HP	600mm	6000K	82	0.97	13w	115	R128,00
T5F26HP	550mm	6000K	82	0.97	13w	115	R128,00
T8F24HP	600mm	4000K	82	0.97	13w	112	R128,00
T5F24HP	550mm	4000K	82	0.97	13w	112	R128,00
<b>4ft</b>							
T8F46HP	1200mm	6000K	82	0.97	27w	115	R188,00
T5F46HP	1150mm	6000K	82	0.97	27w	115	R188,00
T8F44HP	1200mm	4000K	82	0.97	27w	112	R188,00
T5F44HP	1150mm	4000K	82	0.97	27w	112	R188,00
<b>5ft</b>							
T8F56HP	1500mm	6000K	82	0.97	32w	115	R233,00
T5F56HP	1450mm	6000K	82	0.97	32w	115	R233,00
T8F54HP	1500mm	4000K	82	0.97	32w	112	R233,00
T5F54HP	1450mm	4000K	82	0.97	32w	112	R233,00

There are upgradable and customization options for the T8/T5 High Powered Premium + Series.

- Your own Logo may be added ➤ R5,00
- Change to rotatable end caps (T8 only) ➤ R10,00
- Change to clear lens ➤ R5,00
- Power can be changed to both sides ➤ R5,00
- T5 16mm housing + external driver ➤ R10,00



## T5 LED Tubes – Premium + Series

The T5 Premium + Series is manufactured with white non-rotatable end caps, a frosted milky cover lens, 26mm Aluminium housing and it is powered with live and neutral on one side. The Premium + Series LED Tube comes with a 5-year warranty.

Available Sizes: 550mm, 1150mm, 1450mm.

Available Colours: 4000K and 6000K.

Code	Length	CCT	CRI	PF	w	lm/W	Price ex VAT
2ft							
T5F26	550mm	6000K	82	0.97	9w	115	R128,00
T5F24	550mm	4000K	82	0.97	9w	112	R128,00
4ft							
T5F46	1150mm	6000K	82	0.97	18w	115	R158,00
T5F44	1150mm	4000K	82	0.97	18w	112	R158,00
5ft							
T5F56	1450mm	6000K	82	0.97	23w	115	R188,00
T5F54	1450mm	4000K	82	0.97	23w	112	R188,00

There are upgradable and customization options for the T5 Premium + Series.

- Your own Logo may be added ➤ R5,00
- Change to rotatable end caps ➤ N/A
- Change to clear lens ➤ R5,00
- Power can be changed to both sides ➤ R5,00
- T5 16mm Housing + External Driver ➤ R10,00



## T8 LED Tubes – Premium Series

The T8 Premium Series is manufactured with white non-rotatable end caps, a frosted milky cover lens, 26mm Aluminium housing and it is powered with live and neutral on one side. The Premium Series LED Tube comes with a 5-year warranty.

Available Sizes: 330mm, 600mm, 900mm, 1200mm, 1500mm, 1800mm and 2400mm.

Available Colours: 3000K, 4000K, 5000K and 6000K.

Code	Length	CCT	CRI	PF	w	lm/w	Price ex VAT
1ft							
T8D1-285	285mm	3000K-6000k	82	0.97	4.5w	100	R98,00
T8D1-330	330mm	3000K-6000k	82	0.97	4.5w	100	R98,00
T8D1-370	370mm	3000K-6000k	82	0.97	4.5w	100	R98,00
T8D1-400	400mm	3000K-6000k	82	0.97	4.5w	100	R98,00
2ft							
T8D26	600mm	6000K	82	0.97	9w	100	R113,00
T8D25	600mm	5000K	82	0.97	9w	100	R113,00
T8D24	600mm	4000K	82	0.97	9w	98	R113,00
T8D23	600mm	3000K	82	0.97	9w	95	R113,00
3ft							
T8D36	900mm	6000K	82	0.97	13w	100	R128,00
T8D35	900mm	5000K	82	0.97	13w	100	R128,00
T8D34	900mm	4000K	82	0.97	13w	98	R128,00
T8D33	900mm	3000K	82	0.97	13w	95	R128,00
4ft							
T8D46	1200mm	6000K	82	0.97	18w	100	R143,00
T8D45	1200mm	5000K	82	0.97	18w	100	R143,00
T8D44	1200mm	4000K	82	0.97	18w	98	R143,00
T8D43	1200mm	3000K	82	0.97	18w	95	R143,00
5ft							
T8D56	1500mm	6000K	82	0.97	23w	100	R173,00
T8D55	1500mm	5000K	82	0.97	23w	100	R173,00
T8D54	1500mm	4000K	82	0.97	23w	98	R173,00
T8D53	1500mm	3000K	82	0.97	23w	95	R173,00
6ft							
T8D66	1800mm	6000K	82	0.97	27w	100	R270,00
T8D65	1800mm	5000K	82	0.97	27w	100	R270,00
T8D64	1800mm	4000K	82	0.97	27w	98	R270,00
T8D63	1800mm	3000K	82	0.97	27w	95	R270,00
8ft							
T8D86	2400mm	6000K	82	0.97	32w	100	R360,00
T8D85	2400mm	5000K	82	0.97	32w	100	R360,00
T8D84	2400mm	4000K	82	0.97	32w	98	R360,00
T8D83	2400mm	3000K	82	0.97	32w	95	R360,00

There are upgradable and customization options for the T5 Premium + Series.

- Your own Logo may be added ➤ R5,00
- Change to rotatable end caps ➤ R10,00
- Change to clear lens ➤ R5,00
- Power can be changed to both sides ➤ R5,00

## Colour LED Tubes – Premium Series

The Colour LED Premium Series is manufactured with white non-rotatable end caps, a frosted milky cover lens, 26mm Aluminium housing and it is powered with live and neutral on one side. The Premium Series LED Tube comes with a 5-year warranty.

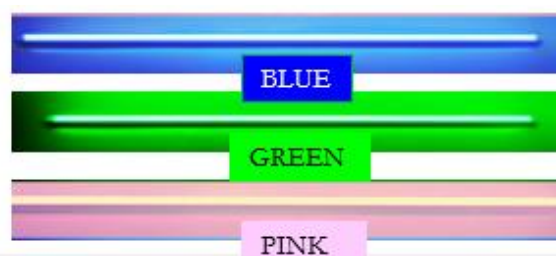
Available Sizes: 330mm, 600mm, 900mm, 1200mm, 1500mm, 1800mm and 2400mm.

Available Colours: Light Pink, Dark Pink, Red, Blue, Green, Amber/Yellow.

Code	Length	CCT	PF	w	Price Ex VAT
<b>2ft</b>					
T8C2R	600mm	Red	0.97	9w	R134,00
T8C2B	600mm	Blue	0.97	9w	R134,00
T8C2G	600mm	Green	0.97	9w	R134,00
T8C2A	600mm	Amber/Yellow	0.97	9w	R134,00
T8C2P	600mm	Light Pink	0.97	9w	R134,00
T8C2DP	600mm	Dark Pink	0.97	9w	R134,00
<b>3ft</b>					
T8C3R	900mm	Red	0.97	13w	R145,00
T8C3B	900mm	Blue	0.97	13w	R145,00
T8C3G	900mm	Green	0.97	13w	R145,00
T8C3A	900mm	Amber/Yellow	0.97	13w	R145,00
T8C3P	900mm	Light Pink	0.97	13w	R145,00
T8C3DP	900mm	Dark Pink	0.97	13w	R145,00
<b>4ft</b>					
T8C4R	1200mm	Red	0.97	18w	R172,00
T8C4B	1200mm	Blue	0.97	18w	R172,00
T8C4G	1200mm	Green	0.97	18w	R172,00
T8C4A	1200mm	Amber/Yellow	0.97	18w	R172,00
T8C4P	1200mm	Light Pink	0.97	18w	R172,00
T8C4DP	1200mm	Dark Pink	0.97	18w	R172,00
<b>5ft</b>					
T8C5R	1500mm	Red	0.97	23w	R211,00
T8C5B	1500mm	Blue	0.97	23w	R211,00
T8C5G	1500mm	Green	0.97	23w	R211,00
T8C5A	1500mm	Amber/Yellow	0.97	23w	R211,00
T8C5P	1500mm	Light Pink	0.97	23w	R211,00
T8C5DP	1500mm	Dark Pink	0.97	23w	R211,00

The LED Coloured Tubes are priced as a custom Tube as they are manufactured to a specific order. Any customization or upgrade is included in the price. Available in T5 and T8.

- Your own Logo may be added ➤ R0,00
- Change to rotatable end caps ➤ R0,00
- Change to clear lens ➤ R0,00
- Power can be changed to both sides ➤ R0,00



## T5 LED Tubes – Premium Series

The T5 Premium Series is manufactured with white non-rotatable end caps, a frosted milky cover lens, 26mm Aluminium housing and it is powered with live and neutral on one side. The Premium Series LED Tube comes with a 5-year warranty.

Available Sizes: 550mm, 1150mm, 1450mm.

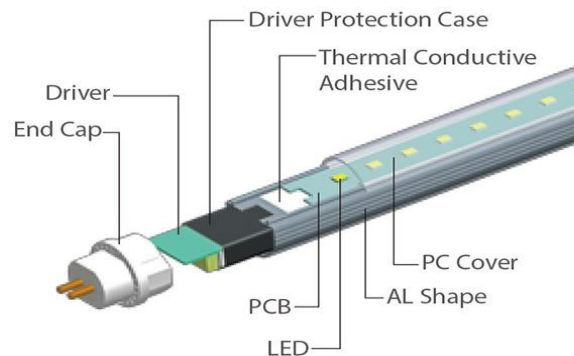
Available Colours: 3000K, 4000K, 5000K and 6000K.

Code	Length	CCT	CRI	PF	w	lm/W	Price ex VAT
2ft							
T5D26	550mm	6000K	82	0.97	9w	100	R113,00
T5D25	550mm	5000K	82	0.97	9w	100	R113,00
T5D24	550mm	4000K	82	0.97	9w	98	R113,00
T5D23	550mm	3000K	82	0.97	9w	95	R113,00
4ft							
T5D46	1150mm	6000K	82	0.97	18w	100	R143,00
T5D45	1150mm	5000K	82	0.97	18w	100	R143,00
T5D44	1150mm	4000K	82	0.97	18w	98	R143,00
T5D43	1150mm	3000K	82	0.97	18w	95	R143,00
5ft							
T5D56	1450mm	6000K	82	0.97	23w	100	R173,00
T5D55	1450mm	5000K	82	0.97	23w	100	R173,00
T5D54	1450mm	4000K	82	0.97	23w	98	R173,00
T5D53	1450mm	3000K	82	0.97	23w	95	R173,00

There are upgradable and customization options for the T5 Premium + Series.

- Your own Logo may be added ➤ R5,00
- Change to rotatable end caps (Not Available for T5 Range) ➤ N/A
- Change to clear lens ➤ R5,00
- Power can be changed to both sides ➤ R5,00
- T5 16mm Housing + External Driver ➤ R10,00

### • Product Structure





## Under-counter LED Tube Fittings – Premium Series & Premium + Series

The Under-counter LED Tube fittings are complete light fittings, i.e. tube and holder. The Under-counter LED Tube Fittings come with a 5-year warranty.

Code	Length	CCT	PF	w	lm/W	Price ex VAT
<b>1ft</b>						
UCD270	270mm	3000K-6000K	0.97	4.5w	100	R101,00
UCF270	270mm	4000K & 6000K	0.97	4.5w	110	R116,00
UCD320	320mm	3000K-6000K	0.97	4.5w	100	R101,00
UCF320	320mm	4000K & 6000K	0.97	4.5w	110	R116,00
UCD370	370mm	3000K-6000K	0.97	4.5w	100	R101,00
UCF370	370mm	4000K & 6000K	0.97	4.5w	110	R116,00
<b>2ft</b>						
UCD600	600mm	3000K-6000K	0.97	9w	100	R116,00
UCF600	600mm	4000K & 6000K	0.97	9w	110	R131,00
<b>3ft</b>						
UCD900	900mm	3000K-6000K	0.97	13w	100	R131,00
UCF900	900mm	4000K & 6000K	0.97	13w	110	R146,00
<b>4ft</b>						
UCD1200	1200mm	3000K-6000K	0.97	18w	100	R146,00
UCF1200	1200mm	4000K & 6000K	0.97	18w	110	R161,00
<b>5ft</b>						
UCD1500	1500mm	3000K-6000K	0.97	23w	100	R176,00
UCF1500	1500mm	4000K & 6000K	0.97	23w	110	R191,00
<b>6ft</b>						
UCD1800	1800mm	3000K-6000K	0.97	27w	100	R288,00
UCF1800	1800mm	4000K & 6000K	0.97	27w	110	R296,00
<b>8ft</b>						
UCD2400	2400mm	3000K-6000K	0.97	32w	100	R363,00
UCF2400	2400mm	4000K & 6000K	0.97	32w	110	R386,00



## LED Sensor Tube – Premium Series

The LED Sensor Tube Premium Series is manufactured with white non-rotatable end caps, a frosted milky cover lens, 26mm Aluminium housing and it is powered with live and neutral on one side. The Sensor distance can pick up a Human Body up to 4-8m. The LED Sensor Tube comes with a 2-year warranty.

Code	Length	CCT	PF	w	lm/W	Stand-by Time	Price ex VAT
4ft							
T8S46ODI	1200mm	4000K & 6000K	0.97	18w	100	60 Seconds	R174,00
T8S46OFI	1200mm	4000K & 6000K	0.97	18w	100	60 Seconds	R174,00
5ft							
T8S56ODI	1500mm	4000K & 6000K	0.97	23w	100	60 Seconds	R198,00
T8S56OFI	1500mm	4000K & 6000K	0.97	23w	100	60 Seconds	R198,00

There are upgradable and customization options for the LED Sensor Tube Series.

- Your own Logo may be added ➤ R5,00
- Change to clear lens ➤ R5,00
- Power can be changed to both sides ➤ R5,00

On-Dim (ODI): Sensor picks up motion and goes to full power, once no motion is detected for 60 seconds the light dims to 3-5w. Induction Angle: 120 Degrees and Voltage: 85V-264V.

On-Off (OFI): Sensor picks up motion and switches on, once no motion is detected for 60 seconds the light switches off. Induction Angle: 120 Degrees and Voltage: 85V-264V.

## 12-36V T8 LED Tubes – Premium Series

The 12-36V Premium Series is manufactured with white non-rotatable end caps, a frosted milky cover lens, 26mm Aluminium housing and it is powered with live and neutral on one side. The 12-36V Premium Series LED Tube comes with a 2-year warranty.

Available Sizes: 600mm, 900mm, 1200mm, 1500mm, 1800mm and 2400mm

Available Colours: 4000K and 6000K

Code	Length	CCT	CRI	PF	w	lm/W	Price ex VAT
2ft							
T81226	600mm	6000K	82	0.97	9w	100	R146,00
T81224	600mm	4000K	82	0.97	9w	100	R146,00
4ft							
T81246	1200mm	6000K	82	0.97	18w	100	R170,00
T81244	1200mm	4000K	82	0.97	18w	100	R170,00
5ft							
T81256	1500mm	6000K	82	0.97	23w	100	R190,00
T81254	1500mm	4000K	82	0.97	23w	100	R190,00

## T8 LED Tubes – Standard Series

The T8 Standard Series is manufactured with Green non-rotatable end caps, the Standard Series logo, a frosted milky cover lens, 26mm Aluminium housing and it is powered with live and neutral on one side. The Standard Series LED Tube comes with a 3-year warranty.

Available Sizes: 600mm, 1200mm and 1500mm.

Available Colours: 4000K and 6000K.

Code	Length	CCT	CRI	PF	w	lm/W	Price ex VAT
2ft							
T8O26	600mm	6000K	75	0.97	9w	90	R98,00
T8O24	600mm	4000K	75	0.97	9w	87	R98,00
4ft							
T8O46	1200mm	6000K	75	0.97	18w	90	R117,00
T8O44	1200mm	4000K	75	0.97	18w	87	R117,00
5ft							
T8O56	1500mm	6000K	75	0.97	23w	90	R143,00
T8O54	1500mm	4000K	75	0.97	23w	87	R143,00

There are upgradable and customization options for the T5 Premium + Series.

- Your own Logo may be added ➤ R10,00
- Change to rotatable end caps ➤ R5,00
- Change to clear lens ➤ R5,00
- Power can be changed to both sides ➤ R5,00

## T8 LED Glass Tubes Series

The led glass tube is an imported LED tube which has glass housing and comes with a frosted milky glass cover lens and is powered live and neutral on one side. The LED Glass tube series has a 1 Year Warranty.

Available Sizes: 600mm, 1200mm and 1500mm.

Available Colours: 6000K.

Code	Length	CCT	CRI	PF	w	lm/W	Price ex VAT
2ft							
T8G26	600mm	6000K	70	0.80	9w	75	R45,00
4ft							
T8G46	1200mm	6000K	70	0.80	18w	75	R55,00
5ft							
T8G56	1500mm	6000K	70	0.80	23w	75	R75,00

